

6911 Southpoint Drive (B03)  
Burnaby, BC  
V3N 4X8

November 24, 2025

[REDACTED]

via email: [REDACTED]

**RE: CEAP IR #16 – [REDACTED] 200MW – Interconnection Feasibility Study**

Dear [REDACTED]

Enclosed is the Interconnection Feasibility Study for the proposed Interconnection Request (IR), [REDACTED] 200MW, submitted under Attachment M-2: Transmission Service and Interconnection Service Procedures for Competitive Electricity Acquisition Process (CEAP) of the Open Access Transmission Tariff (OATT). This letter provides a non-binding good faith estimate of the cost and time to construct the facilities required to interconnect your project to BC Hydro's Transmission System, being the Network Upgrades, based on the findings of the Interconnection Feasibility Study.

### **Open Access Transmission Tariff**

The OATT defines Network Upgrades as additions, modifications, and upgrades to BC Hydro's Transmission System required at or beyond the Point of Interconnection to accommodate the interconnection of the Generating Facility to the BC Hydro's Transmission System. Pursuant to the OATT, BC Hydro will design, procure, construct, install, and own the Network Upgrades. While BC Hydro will pay the costs for the Network Upgrades, the Interconnection Customer provides security for such costs.

### **Interconnection Study Costs**

The Interconnection Customer is responsible for paying the full cost of all Interconnection Studies in cash. Interconnection Study costs vary depending on the scope, complexity, and other factors such as whether any scope is shared with another Interconnection Customer (not applicable to this Interconnection Feasibility Study). The deposit amounts specified in the OATT are not proxy Interconnection Study costs. If actual Interconnection Study costs exceed the deposit amount, the Interconnection Customer must pay the remaining balance in cash. Please refer to the answer for question no. 53 in the posted [Questions & Answers for 2025 Call for Power](#) for typical study cost ranges.

### **Cost Estimate**

Based on the Interconnection Feasibility Study, the non-binding good faith estimated cost (typical accuracy range of +150%/-50%) for Network Upgrades required to interconnect your project is \$9.9 M.

### **Major Scope of Work Identified:**

- Supply and install one 230kV non-standard tap structure approximately between str. 31-04 and 32-01 of 2L392B
- Supply and install up to three 230 kV non-standard disconnect switches and steel pole structures on the tap and line 2L392B
- Convert two adjacent structures of the disconnect switches to dead end structures

- Acquire additional Right-of-Way
- Supply and install required Protection, Control and Telecommunications equipment

**Exclusions:**

- GST
- Permits
- Right-of-Way & property costs

**Key Assumptions:**

- Construction by contractor
- 6 months of construction is considered
- No construction during winter season
- Execution of early Engineering and Procurement Agreement
- No expansion of existing stations or control buildings to accommodate new equipment
- Impact Benefit Agreements with First Nations are not considered

**Key Risks:**

- Transmission scope may be different than assumed, including number of disconnect switches and structure types
- Major equipment delivery presents potential project cost and schedule risks, based on variance in equipment lead times
- No defined supply chain strategy; construction costs may increase depending on delivery method
- Project schedule may be longer than expected, leading to increased overhead costs
- Ground improvements may be required leading to increased construction costs
- Contaminated soil may be encountered leading to increased construction costs
- Cost of materials and major equipment may be affected by market conditions and escalation

**Study Limitations and Exclusions*****Protection, Control, and Telecommunications***

The Interconnection Feasibility Study does not include a detailed review of the protection, control, and telecommunications system requirements specific to your Interconnection Request. Based on a high-level review, we have identified proxy costs for protection, control, and telecom Network Upgrades drawn from comparable interconnection projects with similar scope and complexity; these proxy costs have been included solely for indicative budgeting purposes. The relative interconnection cost determined by the Interconnection Feasibility Study includes a telecommunications component based on an assumed solution to deliver teleprotection and telecontrol circuit requirements necessary for the Interconnection Request. Protection, control, and telecommunications system requirements will be reviewed in detail in the System Impact Study if you are a successful participant of the CEAP and meet applicable requirements.

For Interconnection Feasibility Study purposes, it is assumed that any applicant-proposed works that could obstruct or impair the performance of existing BC Hydro microwave systems or new links from the proposed Interconnection Customer Interconnection Facilities (ICIF) to the BC Hydro microwave system would be identified and either relocated or repositioned as determined in a System Impact Study if you are a successful participant of the CEAP and meet applicable requirements. Such works may include, but are not

limited to, towers, turbines, dams, support structures, panels, surface materials deposited or redistributed, water surface changes, or vegetation.

***Generation Shedding/Curtailment Scheme and Electromagnetic Transient (EMT) Studies***

The generation shedding/curtailment scheme reviews (e.g., Remedial Action Scheme (RAS), and a direct transfer trip for anti-islanding scheme) and EMT studies are completed in a System Impact Study. The outcomes of these studies may result in additional requirements, which could include Network Upgrades or ICIF. Any costs associated with completion of these studies, and resulting requirements, are not included in the Interconnection Feasibility Study cost estimate.

***Revenue Metering***

Please note that revenue metering requirements have not been determined with the Interconnection Feasibility Study. As such, any costs associated with revenue metering and other interconnection components are not included in the cost estimate provided above. Once these requirements are defined, costs that are attributable to the Interconnection Customer are to be paid in cash. For more details on revenue metering requirements and responsibilities, please refer to:

<https://www.bchydro.com/content/dam/BCHydro/customer-portal/documents/distribution/standards/ds-rmr-complex-revenue-metering.pdf>.

**Schedule**

Based on the Interconnection Feasibility Study, the non-binding good faith estimated in-service date for your Interconnection Request's Network Upgrades is Quarter 1 2031 (calendar year). To achieve this timeline, we may need to expedite certain activities, including engineering design and procurement of long-lead equipment.

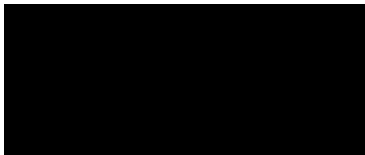
Timely actions required from you to minimize risks to the schedule:

- Submission of additional technical data required for the System Impact Study and Facilities Study
- Submission of any required information or document such as demonstration of Site Control
- Execution of Combined Study Agreement and Standard Generator Interconnection Agreement
- Financial commitments and securities

Please note that changes to your Interconnection Request or delays in data submission or financial commitments may also impact the target in-service date.

If you have any questions, please contact the BC Hydro CEAP team at ceap2025@bchydro.com.

Sincerely,



Manager, Customer Interconnections

BC Hydro

Encl.: CEAP\_2025\_IR16\_ [REDACTED] 200MW\_Feasibility\_Study.pdf

 200MW

# Interconnection Feasibility Study

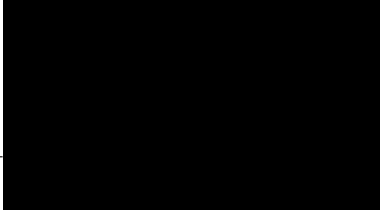
**BC Hydro EGBC Permit to Practice No: 1002449**

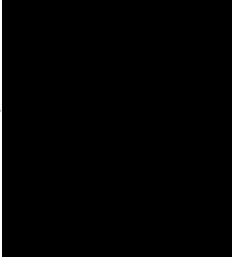
**2025 CEAP IR # 16**

Prepared for:



Prepared by:


  
Specialist Engineer, Transmission



Reviewed by:

  
Technical Strategic Principle, Transmission  
Planning

Accepted by:

  
Division Manager, Transmission Planning

## Report Metadata

Header: 2025 CEAP IR # 16  
Subheader: Interconnection Feasibility Study  
Title: [REDACTED] 200MW  
Subtitle: 2025 CEAP IR # 16  
Report Number: 1000-APR-00049  
Revision: 0  
Confidentiality: Public  
Date: 2025 Nov 21  
Volume: 1 of 1

Prepared for: [REDACTED]  
Prepared by: [REDACTED]  
Title: Specialist Engineer, Transmission Planning  
Checked by: NA  
Title: NA  
Reviewed by: [REDACTED]  
Title: Technical Strategic Principle, Transmission Planning

Related Facilities: 2L392, 2L391, [REDACTED] SGB, SBK  
Additional Metadata: Transmission Planning 2025-057  
Filing Subcode 1350

## Revisions

Revision	Date	Description
0	2025 Nov	Initial release

## Disclaimer of Warranty, Limitation of Liability

This report was prepared solely for internal purposes. All parties other than BC Hydro are third parties.

BC Hydro does not represent, guarantee or warrant to any third party, either expressly or by implication:

any information, product or process disclosed, described or recommended in this report.

BC Hydro does not accept any liability of any kind arising in any way out of the use by a third party of any information, product or process disclosed, described or recommended in this report, nor does BC Hydro accept any liability arising out of reliance by a third party upon any information, statements or recommendations contained in this report. Should third parties use or rely on any information, product or process disclosed, described or recommended in this report, they do so entirely at their own risk.

This report was prepared by the British Columbia Hydro And Power Authority ("BCH") or, as the case may be, on behalf of BCH by persons or entities including, without limitation, persons or entities who are or were employees, agents, consultants, contractors, subcontractors, professional advisers or representatives of, or to, BCH (individually and collectively, "BCH Personnel").

This report is to be read in the context of the methodology, procedures and techniques used, BCH's or BCH's Personnel's assumptions, and the circumstances and constraints under which BCH's mandate to prepare this report was performed. This report is written solely for the purpose expressly stated in this report, and for the sole and exclusive benefit of the person or entity who directly engaged BCH to prepare this report. Accordingly, this report is suitable only for such purpose, and is subject to any changes arising after the date of this report. This report is meant to be read as a whole, and accordingly no section or part of it should be read or relied upon out of context.

Unless otherwise expressly agreed by BCH:

- (a) any assumption, data or information (whether embodied in tangible or electronic form) supplied by, or gathered from, any source (including, without limitation, any consultant, contractor or subcontractor, testing laboratory and equipment suppliers, etc.) upon which BCH's opinion or conclusion as set out in this report is based (individually and collectively, "Information") has not been verified by BCH or BCH's Personnel; BCH makes no representation as to its accuracy or completeness and disclaims all liability with respect to the Information;
- (b) except as expressly set out in this report, all terms, conditions, warranties, representations and statements (whether express, implied, written, oral, collateral, statutory or otherwise) are excluded to the maximum extent permitted by law and, to the extent they cannot be excluded, BCH disclaims all liability in relation to them to the maximum extent permitted by law;
- (c) BCH does not represent or warrant the accuracy, completeness, merchantability, fitness for purpose or usefulness of this report, or any information contained in this report, for use or consideration by any person or entity. In addition, BCH does not accept any liability arising out of reliance by a person or entity on this report, or any information contained in this report, or for any errors or omissions in this report. Any use, reliance or publication by any person or entity of this report or any part of it is at their own risk; and
- (d) In no event will BCH or BCH's Personnel be liable to any recipient of this report for any damage, loss, cost, expense, injury or other liability that arises out of or in connection with this report including, without limitation, any indirect, special, incidental, punitive or consequential loss, liability or damage of any kind.

## Copyright Notice

Copyright and all other intellectual property rights in, and to, this report are the property of, and are expressly reserved to, BCH. Without the prior written approval of BCH, no part of this report may be reproduced, used or distributed in any manner or form whatsoever.

## Contributors

The following accept responsibility for the content in the specified sections. Professionals apply their signature and/or seal as appropriate.

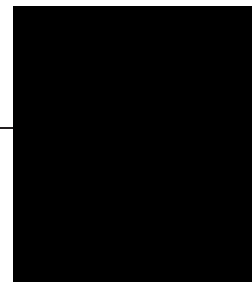
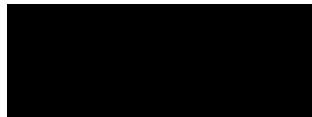
**Section:**

Entire report  
except listed  
below

**Discipline:**

Transmission Planning

Contributed by:



---

Specialist Engineer, Transmission  
Planning

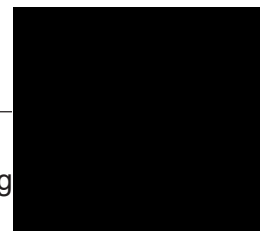
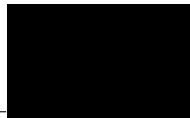
**Section:**

5.2, 5.3

**Discipline:**

Stations Planning

Contributed by:



---

Specialist Engineer, Station Planning

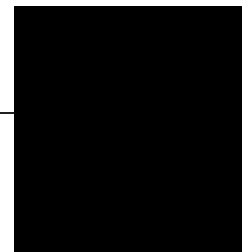
**Section:**

5.4

**Discipline:**

Transmission Lines Engineering

Contributed by:



---

Sr. Engineer, Transmission Lines  
Engineering



RAS. Further RAS details will be studied under System Impact Study (SIS) stage.

4. The [REDACTED] is required to install anti-islanding protection within its facility to disconnect the IC's generating plant from the grid when an inadvertent island with the local load forms. The anti-islanding protection shall be configured in the manner that does not compromise the required ride-through performance.
5. A Direct Transfer Trip (DTT) protection scheme is required to isolate the IC's wind project at the IC's entrance circuit breaker to avoid potential islanding operations with the planned TVC load. This will be further assessed in the SIS stage.
6. The [REDACTED] is required to have the dynamic reactive power capability at a minimum of +/- 33% of its MPO at the high voltage side of the IC's switchyard over the full MW operating range, per BC Hydro's TIR Section 6.4.2. Based on the IC-submitted PSS/E model, the proposed [REDACTED] meets the reactive capability requirement above.
7. The "STATCOM option" for the proposed type-3 WTGs is required so that each turbine can provide reactive power capability at zero MW output. BC Hydro recognizes that Type-3 WTGs with the STATCOM option have an inherent limitation—providing only partial reactive power capability during turbine standstill.
8. Fast Frequency Response, also known as Virtual Inertia Control (VIC) in the proposed wind turbines, is required at the [REDACTED]. The proposed wind turbine generators, when equipped with the VIC option, are expected to temporarily boost the MW output to limit the system frequency drop during a major frequency event. The VIC settings should be determined in coordination with BC Hydro in the later stage of the interconnection process.

The above conclusions are made based on the IC's input data and study assumptions listed in Section 4, which represent the best available information on October 14, 2025.

A non-binding good faith cost for required network upgrades and estimated schedule for construction are included in a separate letter to the IC.

Please note that, this Feasibility Study report does not include the descriptions of Protection, Control, and Telecommunications requirements and the associated upgrade scopes; however, as discussed in Section 2 “Purpose and Scopes of Study, the associated cost implications are captured and delivered in the cover letter to the IC”.

# Contents

<b>Executive Summary</b>	<b>vi</b>
<b>1 Introduction</b>	<b>1</b>
<b>2 Purpose and Scopes of Study</b>	<b>3</b>
<b>3 Standard and Criteria</b>	<b>4</b>
<b>4 Assumptions and Conditions</b>	<b>5</b>
<b>5 System Studies and Results</b>	<b>6</b>
5.1 Power Flow Study Results	6
5.1.1 Thermal Overload Analysis	6
5.1.2 Steady-State Voltage Analysis	7
5.1.3 Reactive Power Capability Evaluation	7
5.1.4 Anti-Islanding Requirements	7
5.1.5 Other Performance Requirements	7
5.2 Fault Analysis	8
5.3 Stations Requirements	8
5.4 Transmission Line Requirements	8
<b>6 Cost Estimate and Schedule</b>	<b>9</b>
<b>7 Conclusions</b>	<b>10</b>

## Appendices

Appendix A	Schematic Diagram of the IC's Project
Appendix B	Power Flow Study Results

## Acronyms

The following are acronyms used in this report.

BCH	BC Hydro
BMT	Bear Mountain Terminal
CEAP	Competitive Electricity Acquisition Process
COD	Commercial Operation Date
DTT	Direct Transfer Trip
EGB	East Groundbirch
ERIS	Energy Resource Interconnection Service
FeS	Feasibility Study
IBR	Inverter-Based Resources
IC	Interconnection Customer
IR	Interconnection Request
GMS	Gordon M. Shrum G.S.
LAPS	Local Area Protection Schemes
MPO	Maximum Power Output
NERC	North American Electric Reliability Corporation
NRIS	Network Resource Interconnection Service
OATT	Open Access Transmission Tariff
POI	Point of Interconnection
PRES	Peace Region Electric Supply
RAS	Remedial Action Scheme
SGB	Shell Groundbirch Substation
SBK	South Bank Substation
TIR	BC Hydro “60 kV to 500 kV Technical Interconnection Requirements for Power Generators”
█	█ Terminal Station
█	█ Station
VIC	Virtual Inertia Control
WECC	Western Electricity Coordinating Council
WTG	Wind Turbine Generator

# 1 Introduction

Table 1-1 below summarizes the project reviewed in this Feasibility Study (FeS).

Table 1-1 Summary of Project Information

Project Name	[REDACTED] 200MW	
Name of Interconnection Customer (IC)	[REDACTED]	
Point of Interconnection (POI)	Tap on 2L392B	
IC's Proposed COD	5th February 2031	
Type of Interconnection Service	NRIS <input checked="" type="checkbox"/>	ERIS <input type="checkbox"/>
Maximum Power Injection (MW)	196.53 MW (Winter)	196.53 MW (Winter)
Number of Turbines	34 x 5.9 MW WTGs	
Plant Fuel	Wind	

[REDACTED] the interconnection customer (IC), requests to interconnect its [REDACTED] (2025 CEAP Project Code: # 16) to the BC Hydro system. [REDACTED] has thirty-four (34) [REDACTED] type-3 wind turbine generators, adding a total capacity of 200.6 MW with a maximum power injection of 196.5 MW into the BC Hydro system at the Point of Interconnection (POI). The IC has proposed to connect their Wind Project to BC Hydro transmission system at the POI, via a tap structure on the BC Hydro's 230 kV line 2L392B, approximately 26 km from the Shell Ground birch Substation (SGB).

The IC's Wind Project will be connected via a new 230 kV customer-built transmission line from the POI on the 2L392B. The IC's proposed commercial operation date (COD) is Feb 5, 2031.

The Peace Region transmission system consists of 230 kV and 138 kV transmission infrastructures supplied from Gordon M. Shrum G.S.(GMS) and South Bank substation, which are the major sources of supply to the Peace Region transmission system. Figure 1-1 shows the Peace region transmission system diagram.

The Dawson Creek-Groundbirch area is supplied from Shell Groundbirch substation (SGB) via two 230 kV lines and multiple radial 138 kV transmission lines, which interconnecting with the two major BC Hydro substations, Bear

Mountain Terminal (BMT) and Dawson Creek (DAW) substation, serving major oil and gas customer loads. SGB is fed by 230 kV Peace Region Electric Supply project (PRES) lines from Southbank substation and the other 230 kV lines 2L340 and 2L342 with power sourced from GMS.

There are two new wind farms, [REDACTED] and [REDACTED] wind with installed capacity of 200 MW each, to be added in the Peace region. In addition, one new wind farm, with 56 MW installed capacity will also be added in the Peace Region. The [REDACTED] will be connected via a tap structure on 2L392B, located on the southern portion of the Peace Regional System. The wind farms and connection are shown in Figure 1-1 below.

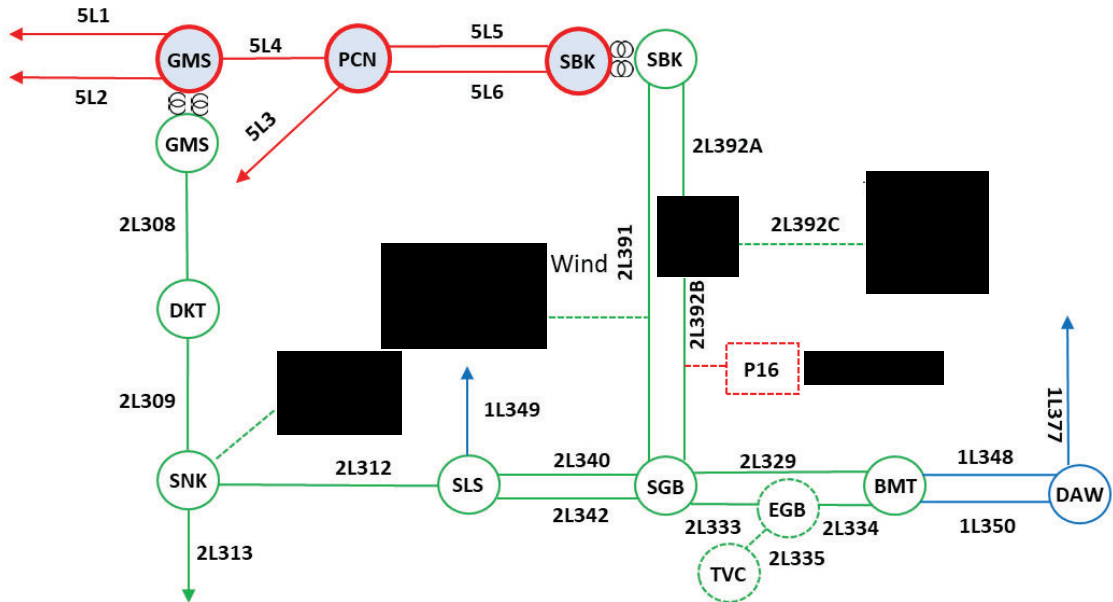


Figure 1-1: Peace Region Transmission System Diagram

## 2 Purpose and Scopes of Study

This Feasibility Study is a preliminary evaluation of the system impact of interconnecting the proposed project to the BC Hydro system based on power flow and short circuit analysis in accordance with BCH's Open Access Transmission Tariff (OATT) and produces the estimated cost of required Network Upgrades and the implementation schedule.

Per OATT, the Feasibility Study is performed individually for each of the participating projects in the CEAP process and focuses specifically on the BC Hydro regional transmission system where the proposed generating project is connected and affects.

This is a "limited scope" study which is restricted to power flow studies of P0, P1 and P2 planning events as defined in TPL-001-4 and short circuit analysis. The study does not address other technical aspects such as transient stability and switching transients and impact of multiple contingencies. These subjects will be addressed in subsequent System Impact Study if the project proceeds further. In addition, any potential impacts to the adjacent external systems to BC Hydro would be addressed in subsequent detailed and coordinated studies with the relevant adjacent entities if the proposed generator project proceeds further.

Please note that, due to the compressed study timeline for CEAP 2025 Feasibility Study, this report does not include the descriptions of the Protection, Control, and Telecommunication requirements and the associated upgrade scopes. Instead, the network upgrades associated with Protections, Controls and Telecommunications are incorporated with cost estimates in a separate cover letter to the IC.

### 3 Standard and Criteria

The Feasibility Study is performed in compliance with the North American Electric Reliability Corporation (NERC) and Western Electricity Coordinating Council (WECC) reliability standards, and the BCH interconnection requirements in the TIR, and upon the ratings of the existing BCH transmission facilities described in Operating Orders, specifically:

- NERC standards: TPL-001-4 and FAC-002-3 relevant to the scope of this Feasibility Study.
- WECC criteria TPL-001-WECC-CRT-4 Transmission System Planning Performance, July 1, 2023.
- BC Hydro's 60 kV to 500 kV Technical Interconnection Requirements for Power Generators, Rev 2.1.1, Effective: Sept 22, 2025.
- BC Hydro Operating Order 5T-10, Ratings for All Transmission Circuits 60 kV or Higher, Sept 17, 2025.
- BC Hydro Operating Order 5T-14, Ratings for All Transmission and Distribution Transformer, Sept 22, 2025.
- BC Hydro System Operating Order 7T-22 System Voltage Control, Sept 19, 2023.

## 4 Assumptions and Conditions

This Feasibility Study is performed based on the IC's submitted data and information available to BC Hydro on Oct 14, 2025, for the study purpose. Assumptions are made wherever the IC's input is unavailable. Appendix A shows the schematic diagram of the IC's Project used in the study model.

The power flow study cases used in this Feasibility Study are established based upon the BC Hydro's base resource plan and load forecasts available at the time of performing the study, which includes existing and future generators, transmission facilities, and loads in addition to the subject interconnection project in this study. Applicable seasonal conditions and the appropriate study years for the study planning horizon are also incorporated. Additional assumptions are listed as follows.

- 1) The generation in the Peace region area are dispatched to the patterns that stress the transmission system in the study area. In these patterns, the associated generators are typically set to Maximum Power Outputs (MPO) unless otherwise specified.
- 2) The 2024 Distribution Substation Load Forecast, 2025 Transmission Voltage Customer (TVC) Load Forecast and 2025 System Peak Forecast are used.
- 3) September 2024 Base Resource Plan.
- 4) 200 MW [REDACTED] will be in service on September 30, 2031, and 200 MW [REDACTED] will be in service on October 1, 2030.
- 5) A future 56 MW wind generation interconnection in the Peace region will be in service on October 31, 2028.
- 6) 31HW, 32HS and 32LS are used as base case in the study to evaluate system impact after [REDACTED] project plant interconnection.
- 7) The Bear Mountain Terminal T4 will be in service by March 2027.
- 8) 1L377 is normally open between [REDACTED] Parkland Substation (PLD) and [REDACTED] Tower 03/07 Substation (ET3).
- 9) All new TVC load interconnection associated system reinforcements are modeled in this study.

## 5 System Studies and Results

### 5.1 Power Flow Study Results

Power flow studies were performed to evaluate whether the IC's generating project would cause any unacceptable system performance (e.g. equipment overloads, steady-state voltage violation and voltage instability) and to determine the system reinforcement requirement based on steady state performance analysis.

The study focuses on the base scenarios — 31HW/32LS/32HS system conditions that includes all the higher-queued generating projects ( [REDACTED] [REDACTED] and a future wind project) in the Peace region. These base cases were prepared based on factors such as load conditions, seasonal variation in ambient temperatures, and generation patterns that stress the transmission system.

The studies were performed for system normal conditions and under critical system contingencies specified in the P1 and P2 events by NERC TPL-001-4. Study results are summarized below.

#### 5.1.1 Thermal Overload Analysis

For all the studied scenarios (31HW, 32LS, and 32HS), the study shows that the addition of [REDACTED] would not cause any thermal overloads under system normal condition.

Under single contingency conditions, branch overloads were observed on the 500 kV lines following single contingencies. The connection of [REDACTED] project will further aggravate these existing overloads, which is currently addressed by the existing G.M. Shrum Area Gen Shedding Remedial Action Scheme (RAS). So, [REDACTED] will be required to participate in the G.M. Shrum Area Gen Shedding RAS. In addition, 2L308 potential overload for internal breaker fault of SBK 2CB22 and GMS T13 or GMS T14 potential overloads for loss of GMS T14 or GMS T13 are observed which will require IC to participate and modification of the existing Peace Area Wind Farm Gen Shedding RAS. The detailed RAS requirements will be confirmed during the System Impact Study (SIS) stage, if necessary.

Details of the thermal overload analysis are provided in Appendix B.

### 5.1.2 Steady-State Voltage Analysis

With the connection of the IC's project, the steady-state voltage performance under system normal and single contingency conditions is acceptable for all the three study scenarios (31HW, 32LS, 32HS). Appendix B shows the details in the steady-state voltage study results.

### 5.1.3 Reactive Power Capability Evaluation

The BC Hydro TIR requires IBR power plant to have the dynamic reactive power capability at a minimum of +/- 33% of its MPO at the high voltage side of the IC's switchyard over the full MW operating range.

Based on the power flow model data submitted by the IC, the proposed [REDACTED] [REDACTED] would be capable of meeting the BC Hydro's reactive capability requirement at the plant's maximum MW output, which is subjected to further verification in the next stage of the interconnection process.

In addition, according to the IC-provided reactive capability data, the proposed WTG would provide +1.7 MVAR to -1.9 MVAR reactive capability at the zero MW output if the turbine's "STATCOM" function is enabled. This function needs to be re-confirmed if the IC's project proceeds to next stage of the interconnection process.

### 5.1.4 Anti-Islanding Requirements

[REDACTED] is not arranged for islanded operation. In addition, the IC is required to install anti-islanding protection within its facility to disconnect the IC's wind farm from the grid when an inadvertent island with the local loads' forms.

A Direct Transfer Trip (DTT) protection scheme is required to isolate the IC's wind project at the IC's entrance circuit breaker to avoid potential islanding operations with the planned TVC load. This will be further assessed in the SIS stage.

### 5.1.5 Other Performance Requirements

Fast Frequency Response, also known as Virtual Inertia Control (VIC) in the proposed wind turbines, is required at the [REDACTED]. The proposed wind turbine generators, when equipped with the VIC option, are expected to temporarily boost the MW output to limit the system frequency drop during a major

frequency event. The VIC settings should be determined in coordination with BC Hydro in the later stage of the interconnection process.

## 5.2 Fault Analysis

The short circuit analysis in the FeS is based upon the latest BC Hydro system model, which includes the generating facility information and associated impedance data provided by the IC. A more detailed study will be performed at the System Impact Study stage if needed.

## 5.3 Stations Requirements

The POI of [REDACTED] 200 MW is a tap connection on 2L392B.

No station work is required.

## 5.4 Transmission Line Requirements

No transmission line upgrade has been identified for this project.

At the POI, approximately 26 km from SGB on 2L392B, BC Hydro will design and build the tap that may include a non-standard tap structure and up to three non-standard switches and structures, two structures adjacent to the switch structures converted to dead-ends, and a dead-end structure as the demarcation point between BC Hydro and the customer. Up to three 253 kV rated disconnect switches may be installed to isolate/sectionalize the IC's facilities and BC Hydro's system. Additional Right-of-Way (ROW) may be required to accommodate the tap.

Fibre addition from POI of this project, the 230kV tap to [REDACTED] on 2L392B, approximately 10km in length is required. Structure replacement/addition may be required.

## 6 Cost Estimate and Schedule

The non-binding good faith estimated cost and time to construct the Network Upgrades required to interconnect the proposed project will be provided in a separate letter to the IC.

## 7 Conclusions

To interconnect the [REDACTED] and its facilities to the BCH Transmission System at the proposed POI, this Feasibility Study has made the recommendations and conclusions as follow:

1. The proposed POI via a tap connection on the 2L392B is acceptable to interconnect the customer's generating project to the BCH system. Customer-built tap line approximately 0.1 km in length from the proposed generating station to the proposed POI, a tap structure on 2L392B, is required to interconnect the customer's generating project to the BCH system.
2. No thermal overloads or voltage constraints have been identified under system normal condition.
3. The connection of [REDACTED] will exacerbate the existing thermal overloads on the 500 kV lines under single contingencies. These overloads can be mitigated by the existing G.M. Shrum Area Gen Shedding RAS. Therefore, the [REDACTED] is required to participate in the G.M. Shrum Area Gen Shedding RAS. In addition, [REDACTED] will potentially overload line 2L308 and GMS 500/230 kV transformers under applicable single contingency conditions and will be required to participate in/modify the Peace Area Wind Farm Gen Shedding RAS. Further RAS details will be studied under System Impact Study stage.
4. The [REDACTED] is required to install anti-islanding protection within its facility to disconnect the IC's generating plant from the grid when an inadvertent island with the local load forms. The anti-islanding protection shall be configured in the manner that does not compromise the required ride-through performance.
5. A Direct Transfer Trip (DTT) protection scheme is required to isolate the IC's wind project at the IC's entrance circuit breaker to avoid potential islanding operations with the planned TVC load. This will be further assessed in the SIS stage.
6. The [REDACTED] is required to have the dynamic reactive power capability at a minimum of +/- 33% of its MPO at the high voltage side of the IC's switchyard over the full MW operating range, per BC Hydro's TIR

Section 6.4.2. Based on the IC-submitted PSS/E model, the proposed [REDACTED] project meets the reactive capability requirement above.

7. The “STATCOM option” for the proposed type-3 WTGs is required so that each turbine can provide reactive power capability at zero MW output. BC Hydro recognizes that Type-3 WTGs with the STATCOM option have an inherent limitation—providing only partial reactive power capability during turbine standstill.
8. Fast Frequency Response, also known as Virtual Inertia Control (VIC) in the proposed wind turbines, is required at the [REDACTED]. The proposed wind turbine generators, when equipped with the VIC option, are expected to temporarily boost the MW output to limit the system frequency drop during a major frequency event. The VIC settings should be determined in coordination with BC Hydro in the later stage of the interconnection process.

## Appendix A

### Schematic Diagram of the IC's Project

Figure A-1 shows the schematic diagram for the [REDACTED]. Note that the proposed plant configuration includes one total of 30 MVAR switchable shunt capacitor on the collector bus.

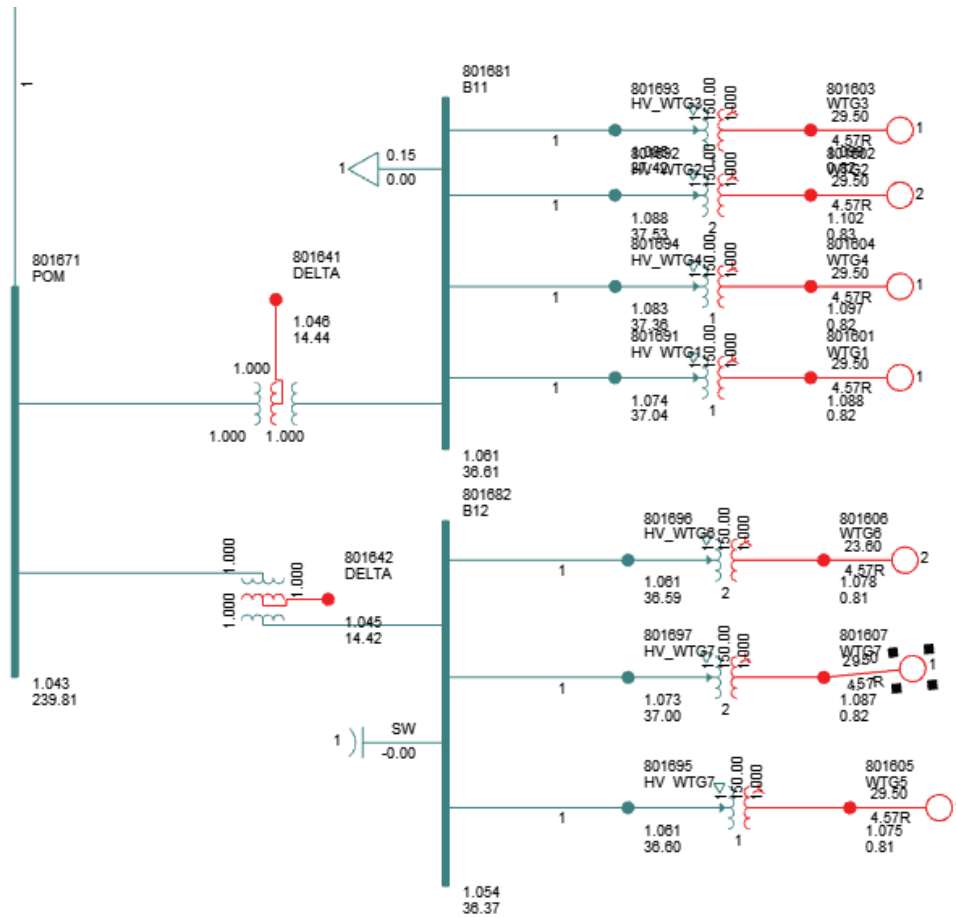


Figure A-1: [REDACTED] Plant Schematic Diagram.

## Appendix B

### Power Flow Study Results

#### Base Scenario (31HW/32HS/32LS)

**Table B-1: Steady-State Voltage Study Results**

Cases	IC's Gen Output (MW)	Contingency Identified		Bus Voltage (PU)	
	(MW)	Cate.	Description	SBK 230	SGB 230
31hw	Max	P0	System Normal	1.032	1.034
		P1	2L391 SGB-SBK	1.035	1.033
		P1	2L392A_SBK-████	1.029	1.032
		P1	2L392B_SGB-████	1.037	1.031
		P1	GMS T11	1.032	1.034
		P2	SBK 2CB22	1.027	1.032
		P1	5L4	1.032	1.034
32ls	Max	P0	System Normal	1.032	1.036
		P1	2L391 SGB-SBK	1.035	1.037
		P1	2L392A_SBK-████	1.028	1.034
		P1	2L392B_SGB-████	1.035	1.034
		P1	GMS T11	1.032	1.036
		P2	SBK 2CB22	1.025	1.034
		P1	5L4	1.032	1.036
32hs	Max	P0	System Normal	1.033	1.035
		P1	2L391 SGB-SBK	1.035	1.034
		P1	2L392A_SBK-████	1.029	1.032
		P1	2L392B_SGB-████	1.035	1.032
		P1	GMS T11	1.032	1.035
		P2	SBK 2CB22	1.026	1.032
		P1	5L4	1.033	1.035

**Table B-2: Thermal Overload Study Results**

Cases	IC's Gen Output (MW)	Contingency		Branch Loading (Amp/MVA)					
				2L308	2L312	2L392A	2L391	5L3	GMS T14
		Cate.	Description	GMS-DKT	SNK-SLS	SBK-█	SBK-█	PCN-KDS	MVA
Winter ratings				1359	1351	1667	1667	3420	356
31hw	Max	P0	System Normal	789.1 58.1%	489.1 36.2%	635.8 38.1%	376.3 22.6%	1854.6 61.8%	136.9 38.5%
		P1	2L391 SGB-SBK	724.1 53.3%	550.2 40.7%	615.7 36.9%	N/A	1769.7 59.0%	124.4 34.9%
		P1	2L392A_SBK █	938.3 69.0%	340.9 25.2%	N/A	802.7 48.1%	1847.9 61.6%	165.8 46.6%
		P1	2L392B_SGB █	674.2 49.6%	599.6 44.4%	473.5 28.4%	215.9 13.0%	1772.4 59.1%	114.5 32.2%
		P1	GMS T11	720.0 53.0%	557.3 41.2%	664.2 39.8%	404.8 24.3%	1856.6 61.9%	247.6 69.6%
		P2	SBK 2CB22	975.9 71.8%	304.4 22.5%	N/A	752.2 45.1%	1846.5 61.5%	173.1 48.6%
		P1	5L4	891.8 65.6%	389.1 28.8%	568.9 34.1%	309.8 18.6%	2157.2 71.9%	156.7 44.0%
Summer ratings				1073	1066	1343	1343	2200	300
32ls	Max	P0	System Normal	875.6 81.6%	437.1 41.0%	756.1 56.3%	496.9 37.0%	1935.7 88.0%	158.7 52.9%
		P1	2L391 SGB-SBK	839.8 78.3%	469.7 44.1%	817.6 60.9%	N/A	1849.8 84.1%	152.1 50.7%
		P1	2L392A_SBK █	1053.5 98.2%	265.4 24.9%	N/A	1003.2 74.7%	1926.9 87.6%	193.1 64.4%
		P1	2L392B_SGB █	790.3 73.6%	518.0 48.6%	473.6 35.3%	418.8 31.2%	1852.7 84.2%	142.3 47.4%
		P1	GMS T11	797.7 74.3%	514.3 48.2%	790.9 58.9%	531.7 39.6%	1938.1 88.1%	315.4 105%
		P2	SBK 2CB22	1097.8 102.3%	224.9 21.1%	N/A	944.8 70.4%	1925.2 87.5%	201.5 67.2%
		P1	5L4	999.4 93.1%	318.8 29.9%	675.7 50.3%	416.6 31.0%	2299.3 104.5%	182.6 60.9%
32hs	200.6	P0	System Normal	822.3 76.6%	489.2 45.9%	684.4 51.0%	425.2 31.7%	1876.4 85.3%	143.9 48.0%
		P1	2L391 SGB-SBK	769.8 71.7%	539.2 50.6%	697.5 51.9%	N/A	1792.7 81.5%	133.8 44.6%
		P1	2L392A_SBK █	983.1 91.6%	331.3 31.1%	N/A	883.5 65.8%	1868.8 84.9%	175.1 58.4%
		P1	2L392B_SGB █	720.0 67.1%	588.3 55.2%	473.6 35.3%	298.1 22.2%	1795.4 81.6%	123.9 41.3%
		P1	GMS T11	750.4 69.9%	561.1 52.6%	714.6 53.2%	455.4 33.9%	1878.4 85.4%	260.2 86.7%
		P2	SBK 2CB22	1019.9 95.1%	296.0 27.8%	N/A	834.4 62.1%	1867.3 84.9%	182.3 60.8%
		P1	5L4	931.1 86.8%	383.6 36.0%	613.5 45.7%	354.5 26.4%	2197.3 100.0%	165.0 55.0%